

Approved
Y4R 2026-2

BULLETIN



921-0000010 KDS
Catalog of assembly parts and units

Q-ty of sheets

Sheet

GROUND: Corrections to operation documents

Bulletin Y4R 2026-2	TRACTOR MODEL	821/821.2/821.3/921/921.2/921.3
------------------------	---------------	---------------------------------

Annotation:

This service bulletin provides updated information on the main wheel configurations.

Content of changes:

In the Technical Data section on page 7, the table shall be replaced;

Group 31. **Wheels and hubs**
Subgroup 3101. **Front driving wheels**

Page 107 shall be replaced;

Page 108 shall be replaced;

Group 31. **Wheels and hubs**
Subgroup 3107. **Rear driving wheels**

Page 109 shall be replaced;

FDA drive	Gearbox-integrated cylindrical reduction gear and friction electro-hydraulic clutch, cardan shaft
FDA control	Provides three operation modes: 1) FDA off; 2) FDA engaged automatically; 3) FDA engaged positively. Ensures FDA engagement as you apply service brakes of the tractor
FRAME, CHASSIS	
Frame	Semi-frame
Chassis	Front and rear wheels are driving wheels with low-pressure pneumatic tires. The front wheels are steerable.
Tires:	
• front wheels	265/70R16(basic configuration) or 12.4L-16
• rear wheels	420/70R24(basic configuration) or 14.9R30
Steering	Hydrostatic (HSC) with a metering pump of gerotor type
Steering wheels	Adjustable tilt angle from 25° to 40° and height within 100 mm
Brakes	Disk-type, dry
Trailer brake pneumatic control drive control	Single-line, interlocked with tractor service brake control
CABIN	
Type	With a protective rigid frame, heat- and vibration insulated, with a heating, ventilation and air filtration system, with a sprung seat adjustable for the operator's weight and height
REAR PTO	
Drive	Continuous two-speed, and ground-speed
Speed, rpm:	
• continuous I	540
• continuous II	1000
• ground-speed, rev/ m of travel	4,36
FRONT PTO	
Drive	Continuous
Speed, rpm:	1000 (at 1845 rev/min of engine shaft)

Group 31. Wheels and hubs
Subgroup 3101. Front driving wheels

Fig. No	Pos. No	No of part or unit	Q-ty	Name
31.1	Variant 1*			
		921-3101015 or 921-3101025	2	Wheel 265/70R16 (with tubed tire) (1,2) Wheel 265/70R16 (with tubeless tire) (1,2,3)
	1	320-3107020	2	Wheel W8x16 (disk and rim)
	2		2	Tire 265/70R16 (tubed or tubeless)
	3		2	Air-water valve TR 618A (for tubeless tires only)
	4	40-3103017 and 70-3104019-01	8	Nut
			2	Special nut
	Variant 2**			
		320-3107010-01	2	Wheel 12.4L-16 (assembled with tire) (1, 2)
	1	320-3107020	2	Wheel W8x16 (disk and rim)
	2	3101.26	2	Tire 12.4L-16
	4	40-3103017 and 70-3104019-01	8	Nut
			2	Special nut

* Variant 1 for front wheels can only be combined with variant 1 for rear wheels

** Variant 2 for front wheels can only be combined with variant 2 for rear wheels

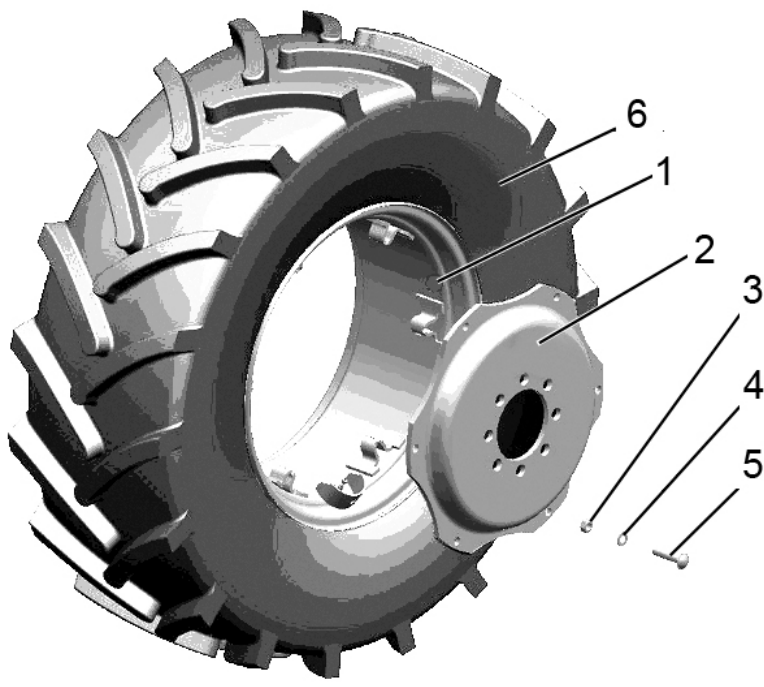


Fig.31.2. Rear driving wheels

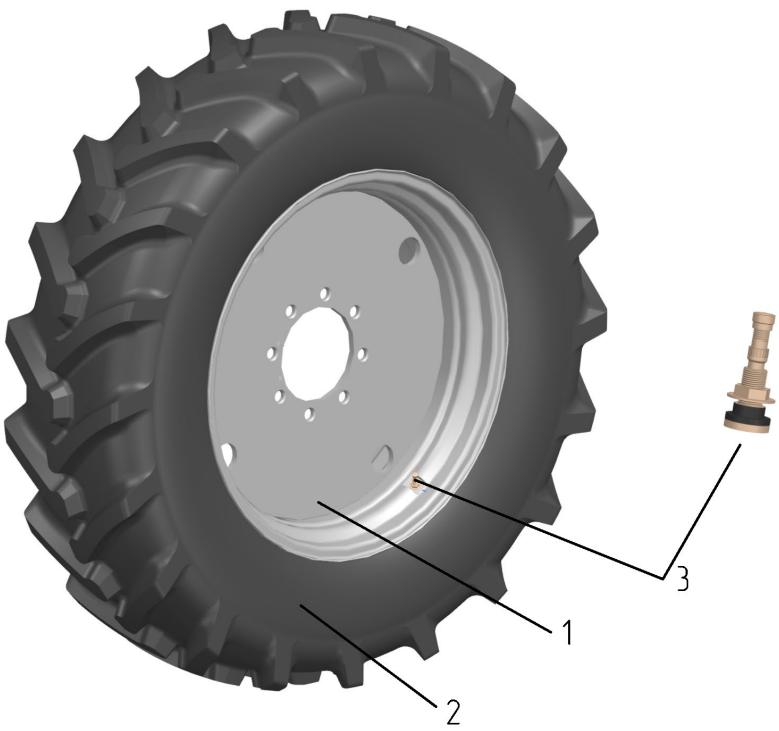


Fig. 31.3. Rear driving wheels

Group 31. Wheels and hubs
Subgroup 3107. Rear driving wheels

Fig. No	Pos. No	No of part or unit	Q-ty	Name
31.2	Variant 1*			
		921-3107015	2	Wheel 420/70R24 (assembled with tire) (1-6)
		W12x24-3107020.21	2	Wheel W12x24 (1-5)
	1	W12x24-3101035	2	Rim of wheel W12-24 with brackets
	2	W12x24-3101017-03	2	Disk
	3	1221-3101013	12	Nut or Nut M16x1.5-6H.10.019 GOST 5915-70
	4	52-2301065	12	Washer
	5	1221-3101011	12	Bolt
6		2	Tire 420/70R24	
31.3	Variant 2**			
		921-3107030	2	Wheel 14.9R30 (assembled with tire) (1,2,3)
	1	3107.13	2	Wheel DW12x30
	2	3107.02	2	Tire 14.9R30
3		2	Air-water valve TR 618A (for tubeless tires only)	

* Variant 1 for rear wheels can only be combined with variant 1 for front wheels

** Variant 2 for rear wheels can only be combined with variant 2 for front wheels